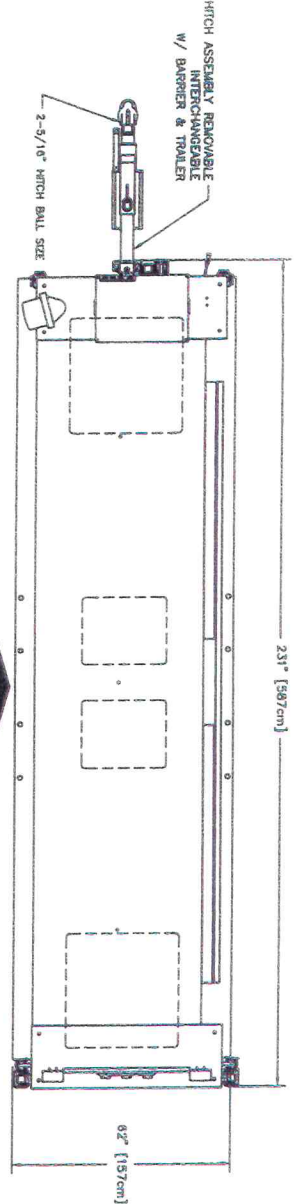
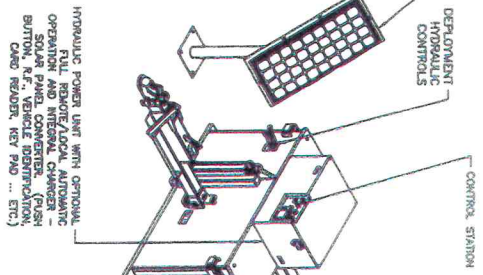


HITCH ASSEMBLY REMOVABLE
INTERCHANGEABLE
W/ BARRIER & TRAILER



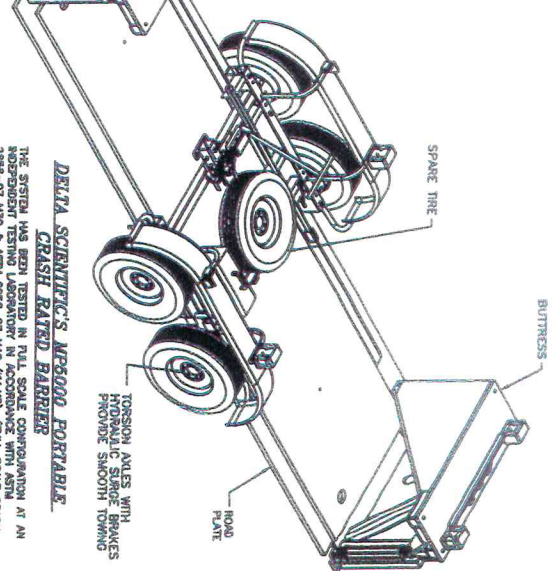
PROTECTED SIDE

ATTACK SIDE
PLAN VIEW



OPTIONAL SOLAR
PANEL CHARGER
DEPLOYMENT
HYDRAULIC
CONTROLS
CONTROL STATION

HYDRAULIC POWER UNIT WITH OPTIONAL
FUEL, REMOTE/LOCAL, AUTOMATIC
OPERATION AND INTERNAL CHARGER -
SOLAR PANEL CONVERTER, (FRESH
BATTERY, BATTERY CHARGER, ETC.,
CARGO READER, KEY PAD ... ETC.)



SPARE TIRE
BUTTS
ROAD PLATE
TORSION AXLES WITH
HYDRAULIC SLABE BRAKES
PROVIDE SMOOTH TOWING

**DELTA SCIENTIFIC'S M8000 PORTABLE
CRASH RATED BARRIER**

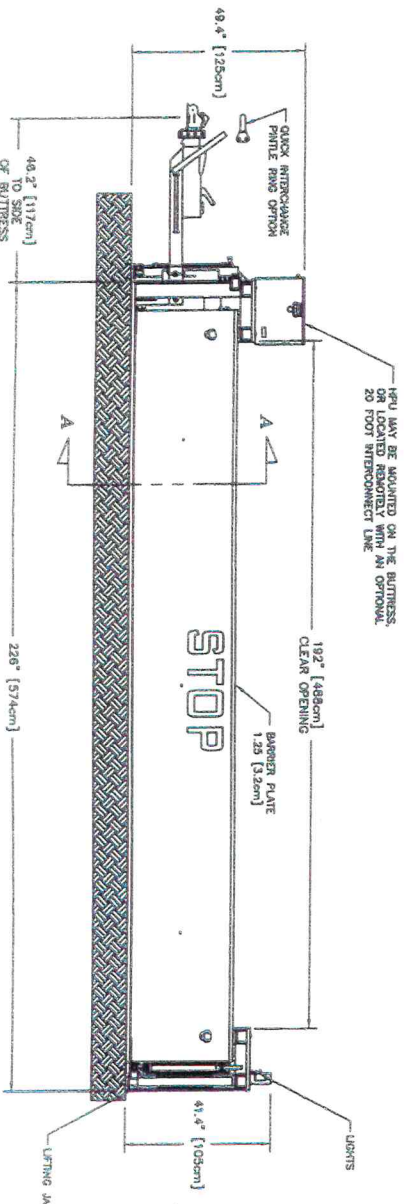
THE SYSTEM HAS BEEN TESTED IN FULL SCALE COMBINATION AT AN
INDEPENDENT TESTING LABORATORY IN ACCORDANCE WITH ASTM
F2129-00A AND F2129-00B (CONCRETE) AND F2129-00C (STEEL) CRASH
TEST FOR CERTIFICATION SUCCESSFULLY COMPLETED. DELTA SCIENTIFIC
ENGINEERING, ANAHEIM, CA ON MAY 15, 2009. IT IS CONSIDERED FOR
EXPEDITED DEPLOYMENT AND, AS NEEDED, RETRIEVAL, AND RELOCATION.
THIS BARRIER SYSTEM CAN BE SITED ON EXISTING CONCRETE OR
ASPHALT ROADWAYS OR VERGES, LEVEL, COMPACTED SOILS OR SOIL
COMPOSITION OF THESE, NO EXCAVATION OR SUB-SURFACE
PREPARATION IS REQUIRED.

THE M8000 IS A PULLMAN TYPE BARRIER RAMP TOTALLY SELF
CONTAINED WITH FREE PASSAGE BETWEEN BUTTSSES OF 18 FT.
(19810). LOW PROFILE FREE TRAFFIC FLOW BARRICADE RAMP.

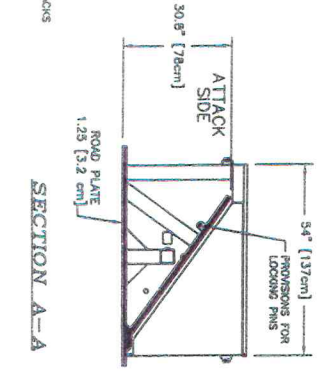
THE BARRIER IS DEPLOYED AFTER BEING TOWED TO THE SITE AND
THEN LOWERED INTO POSITION BY MEANS OF HYDRAULIC JACKS. IT IS
SECURED TO THE SURFACE BY MEANS OF 1000 LB. BALL BEARING WHEELS
ON THE SAME HYDRAULIC JACKS. NO HAND CHANGING, REELING OR OTHER
MEANS ARE NEEDED TO DEPLOY OR RETRIEVE THE BARRIER. ESTIMATED
DEPLOYMENT TIME - LESS THAN 15 MINUTES.

BOTH THE OPERATION OF THE BARRIER AS WELL AS THE INITIAL
DEPLOYMENT (AND RETRIEVAL) IS PUSH BUTTON CONTROLLED. THE
STANDING SYSTEM HAS A BATTERY OPERATED HYDRAULIC POWER UNIT,
WHICH CAN BE OPERATED EITHER A SOLAR PANEL OR FROM LOCAL LOW
VOLTAGE SOURCES.

PROTECTED
SIDE



ELEVATION



SECTION A-A

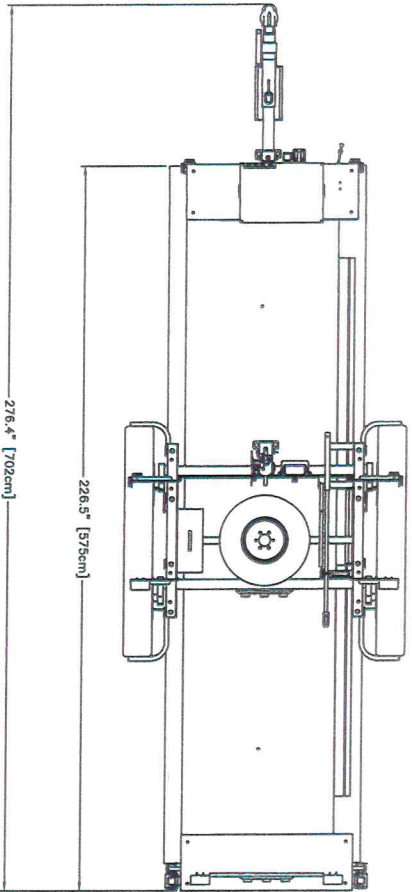
DESCRIPTION	WEIGHTS
BARRIER ONLY	12,201 lbs. 5,534 kg
TRAILER ONLY	1,159 lbs. 526 kg
BARRIER W/TRAILER	13,360 lbs. 6,060 kg
TONGUE @ 26" HIGH	775 lbs. 352 kg

NOTES: 1. OPTION B0060 SELECT JWC-28, 24" HIGH BARRIER MOUNT
OR WPL-20, 48" HIGH OF BARRIER MOUNT.

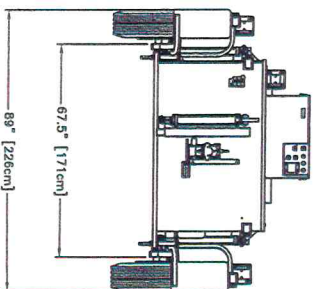


ARXperimeterrental.com

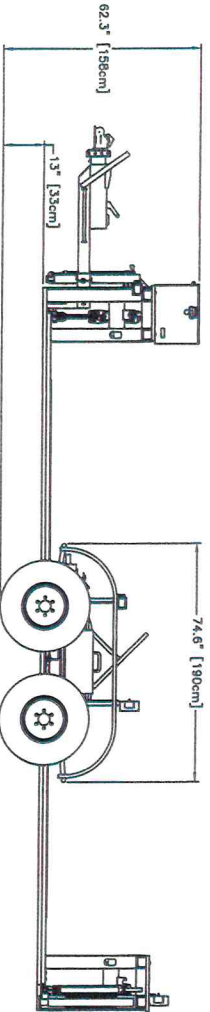
TOP VIEW



FRONT VIEW



SIDE VIEW



PERIMETER RENTAL
708-352-2473
ARXperimeterrental.com